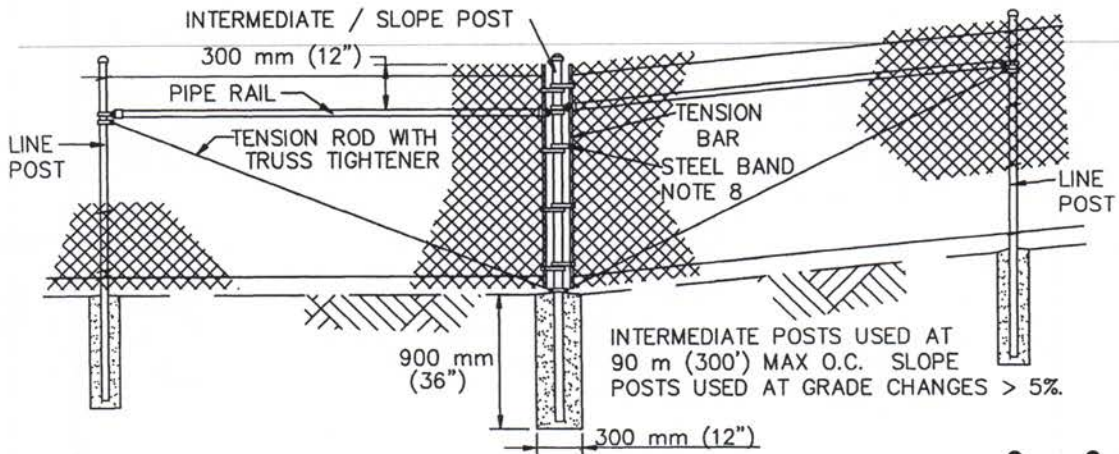
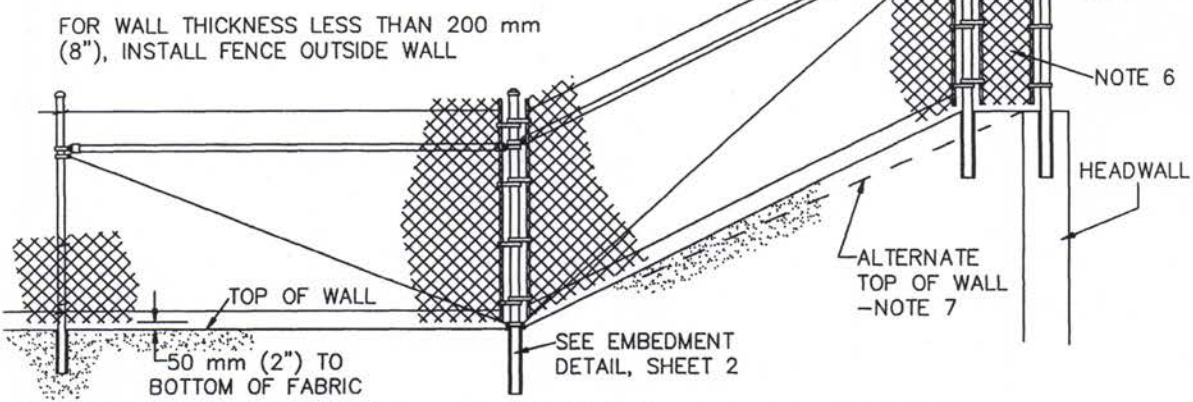


TYPICAL FENCE



INTERMEDIATE / SLOPE POST



CHANNEL WALL AND WINGWALL AT HEADWALL

STANDARD PLANS FOR PUBLIC WORKS CONSTRUCTION

PROMULGATED BY THE  
 PUBLIC WORKS STANDARDS INC.  
 GREENBOOK COMMITTEE  
 1984  
 REV. 1996, 2005

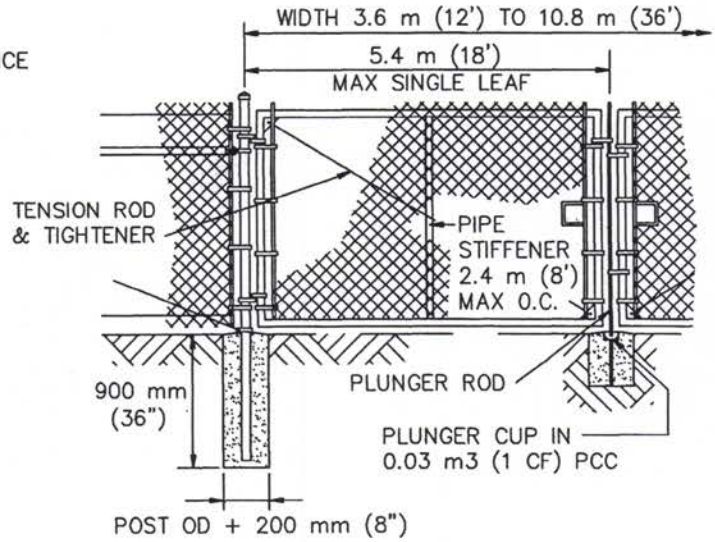
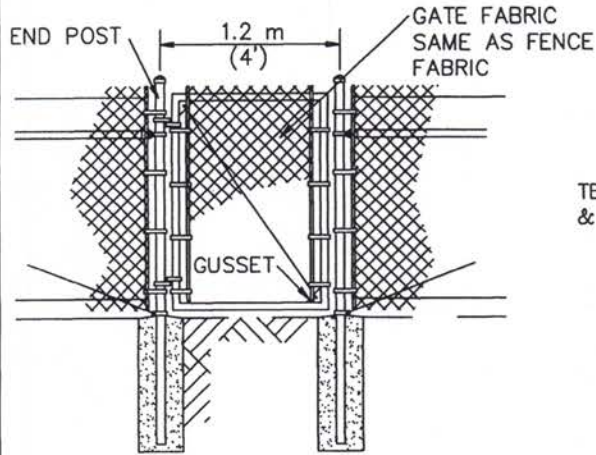
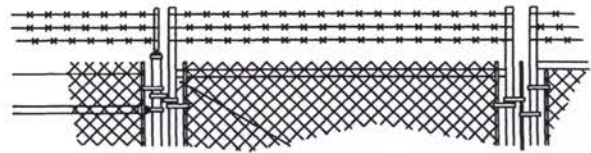
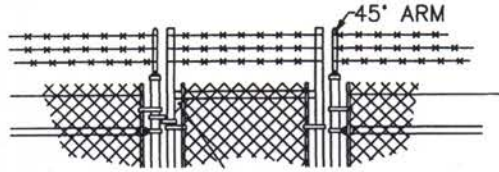
CHAIN LINK FENCE AND GATES

STANDARD PLAN  
 METRIC  
**600-2**

USE WITH STANDARD SPECIFICATIONS FOR PUBLIC WORKS CONSTRUCTION

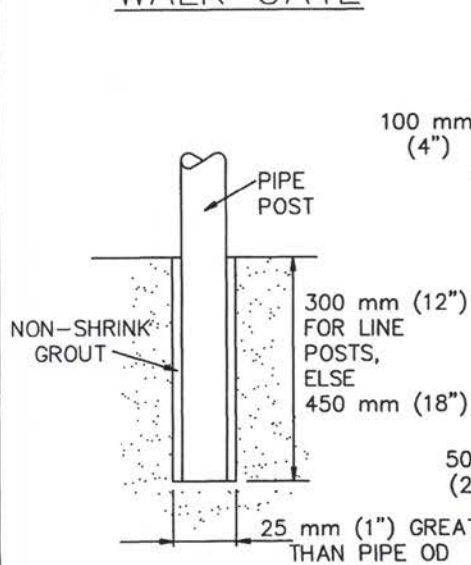
SHEET 1 OF 3

BARBED WIRE - NOTE 4

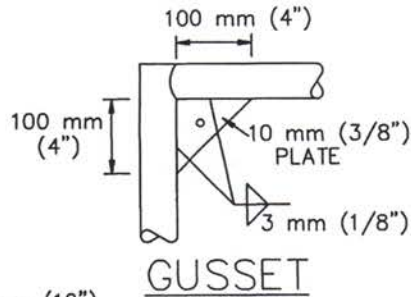


WALK GATE

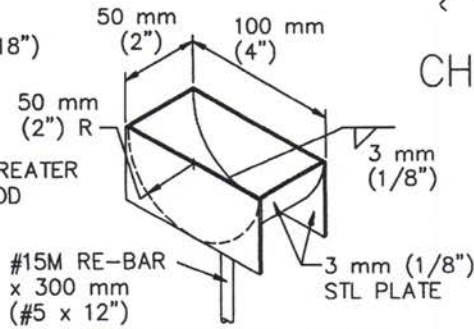
DRIVE GATE



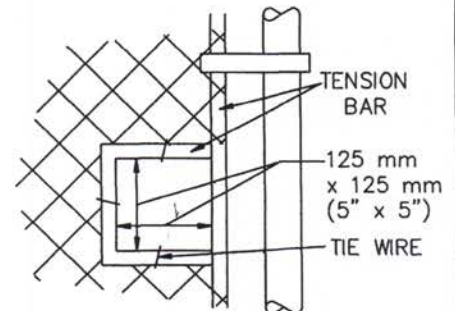
POST EMBEDMENT



GUSSET



PLUNGER CUP ISOMETRIC



CHAIN AND LOCK CUT-OUT

STANDARD PLANS FOR PUBLIC WORKS CONSTRUCTION

**CHAIN LINK FENCE AND GATES**

STANDARD PLAN  
METRIC

**600-2**

SHEET 2 OF 3

NOTES:

1. SECURE DRIVE-FIT GALVANIZED CAP TO POST WITH 6 mm (1/4") ROUND-HEAD RIVET.
2. H DENOTES FABRIC WIDTH AND NOMINAL FENCE HEIGHT. H = 1.5 m (5') UNLESS OTHERWISE NOTED.
3. IF FENCE WITH TOP RAIL IS SPECIFIED, DELETE STEEL TENSION WIRE AT TOP, AND PIPE RAILS AT INTERMEDIATE, SLOPE, END AND CORNER POSTS. EXTEND TENSION ROD TO TOP RAIL.
4. BARBED WIRE SHALL BE USED ONLY WHEN SPECIFIED.
5. POST SPACING IS MAXIMUM 3.0 m (10').
6. FILL CLEAR OPENINGS GREATER THAN 75 mm (3") WITH FABRIC. FOR OPENINGS LESS THAN 450 mm (18"), TIE FABRIC TO POSTS.
7. USE ONE POST FOR COMBINED SLOPE AND CORNER POST IF TOP OF CHANNEL WALL IS CONSTRUCTED AS SHOWN FOR "ALTERNATE".
8. STEEL BANDS AT TENSION BARS SHALL BE 3 mm X 25 mm (1/8" x 1"), MINIMUM, SPACED AT MAXIMUM 400 mm (16").
9. SECURE TENSION WIRES TO EACH LINE POST WITH TIE WIRES.

STANDARD PLANS FOR PUBLIC WORKS CONSTRUCTION

**CHAIN LINK FENCE AND GATES**

STANDARD PLAN  
METRIC

**600-2**

SHEET 3 OF 3