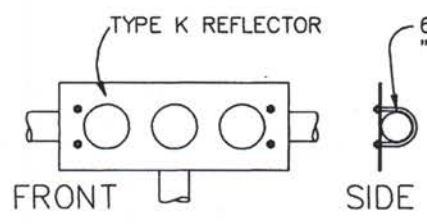
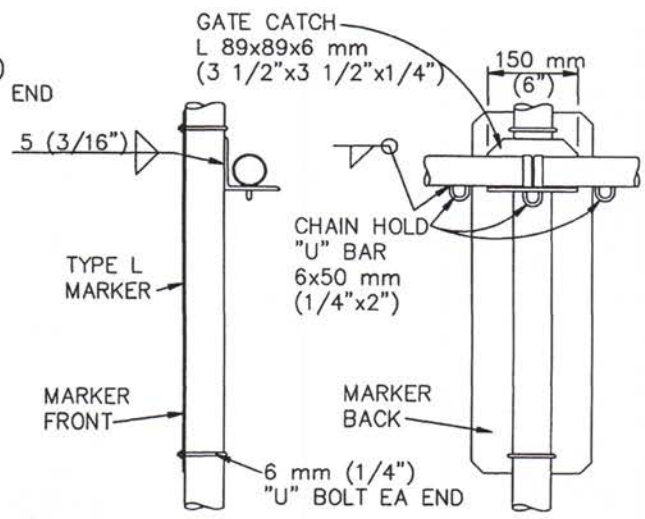


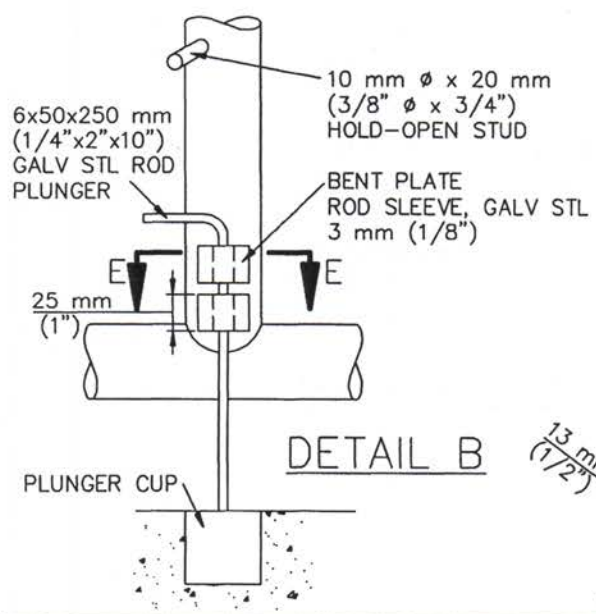
ELEVATION



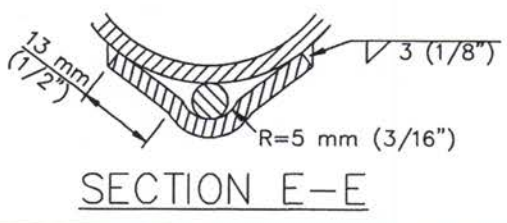
DETAIL A



DETAIL C



DETAIL B

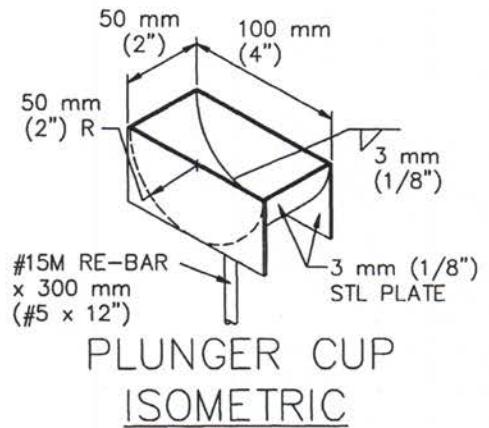
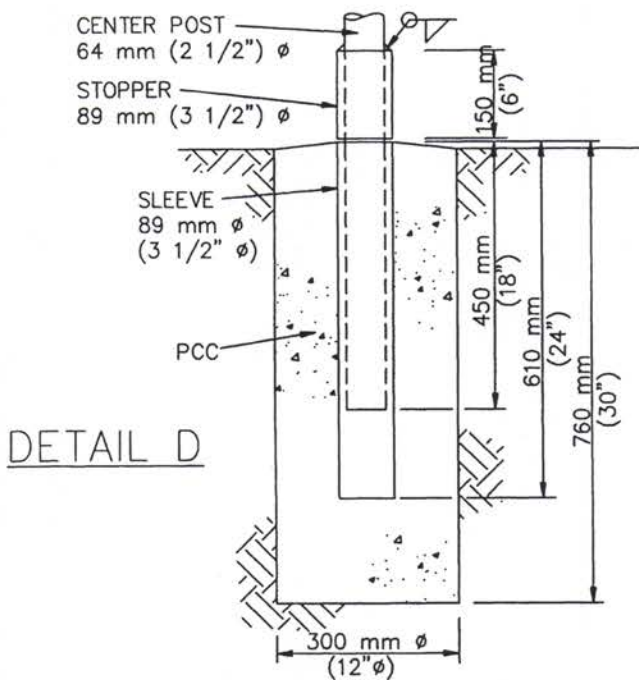


SECTION E-E

STANDARD PLANS FOR PUBLIC WORKS CONSTRUCTION		
PROMULGATED BY THE PUBLIC WORKS STANDARDS INC. GREENBOOK COMMITTEE 1993 REV. 1996, 2005	STANDARD PIPE GATE FOR ACCESS ROADS	STANDARD PLAN METRIC 602-2
USE WITH STANDARD SPECIFICATIONS FOR PUBLIC WORKS CONSTRUCTION		SHEET 1 OF 2

NOTES:

1. FOR ROADWAYS 4.8 m (16'-0") WIDE OR LESS, USE A SINGLE GATE. PLACE THE ANGLE CATCH ON A PERMANENT END POST.
2. PIPE SHALL BE STANDARD WEIGHT, PER AISC STANDARDS.
3. CUT THE PIPE TO PROVIDE A CLOSE FIT-UP OF THE JOINTS.
4. USE 100% PENETRATION WELDS FOR PIPE CONNECTIONS.
5. PAINT GATE WITH ONE COAT OF ALUMINUM PAINT AFTER FABRICATION.
6. GATE HINGES SHALL BE HEAVY DUTY, MALLEABLE IRON OR STEEL, INDUSTRIAL SERVICE TYPE, WITH 270° SWING.
7. TYPE K AND TYPE L MARKERS SHALL CONFORM TO STATE OF CALIFORNIA DEPARTMENT OF TRANSPORTATION ("CALTRANS") STANDARDS. THE REFLECTORS SHALL BE FILM-TYPE.
8. SECURE NUTS AT U BOLT ENDS FROM REMOVAL BY WELDING OR PEENING AFTER INSTALLING MARKERS.



STANDARD PLANS FOR PUBLIC WORKS CONSTRUCTION

**STANDARD PIPE GATE
FOR ACCESS ROADS**

STANDARD PLAN
METRIC

602-2

SHEET 2 OF 2